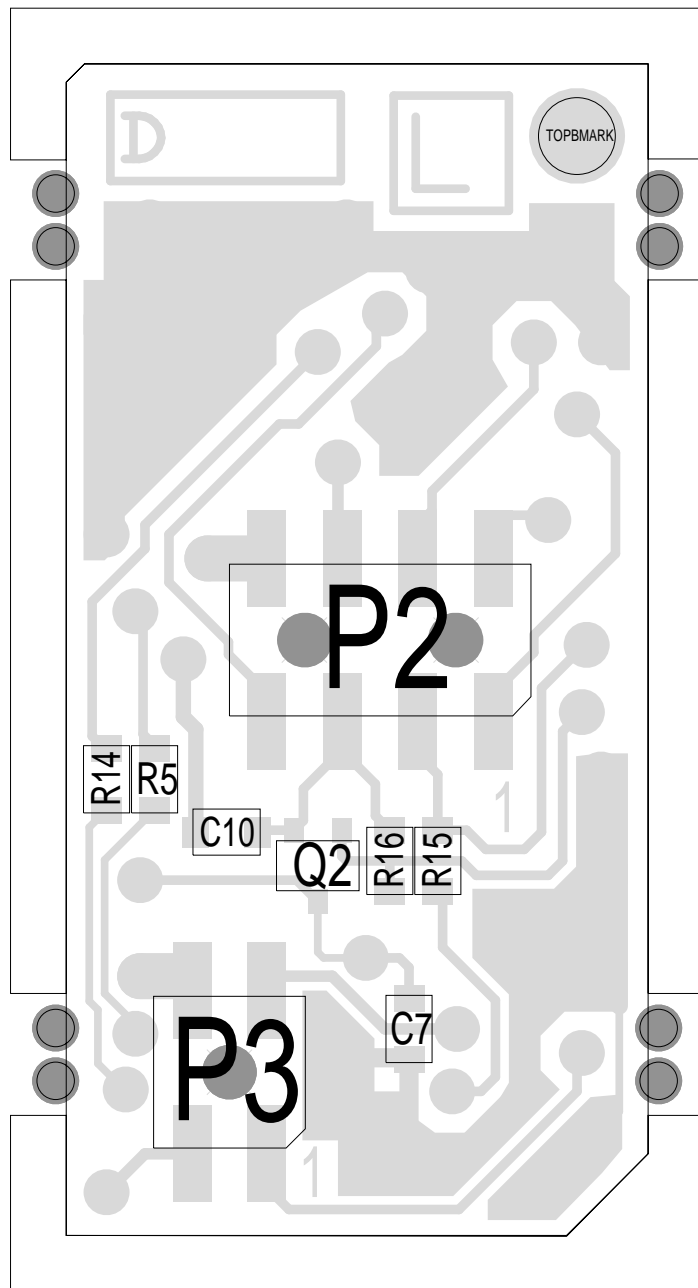


© **TAIT ELECTRONICS**  
**TM8000 OPTIONS BOARD**  
**DYNAMIC MIC/COVERT**

IPN: 226-00136-02      ISSUE: A      ID: 2.SC. 1

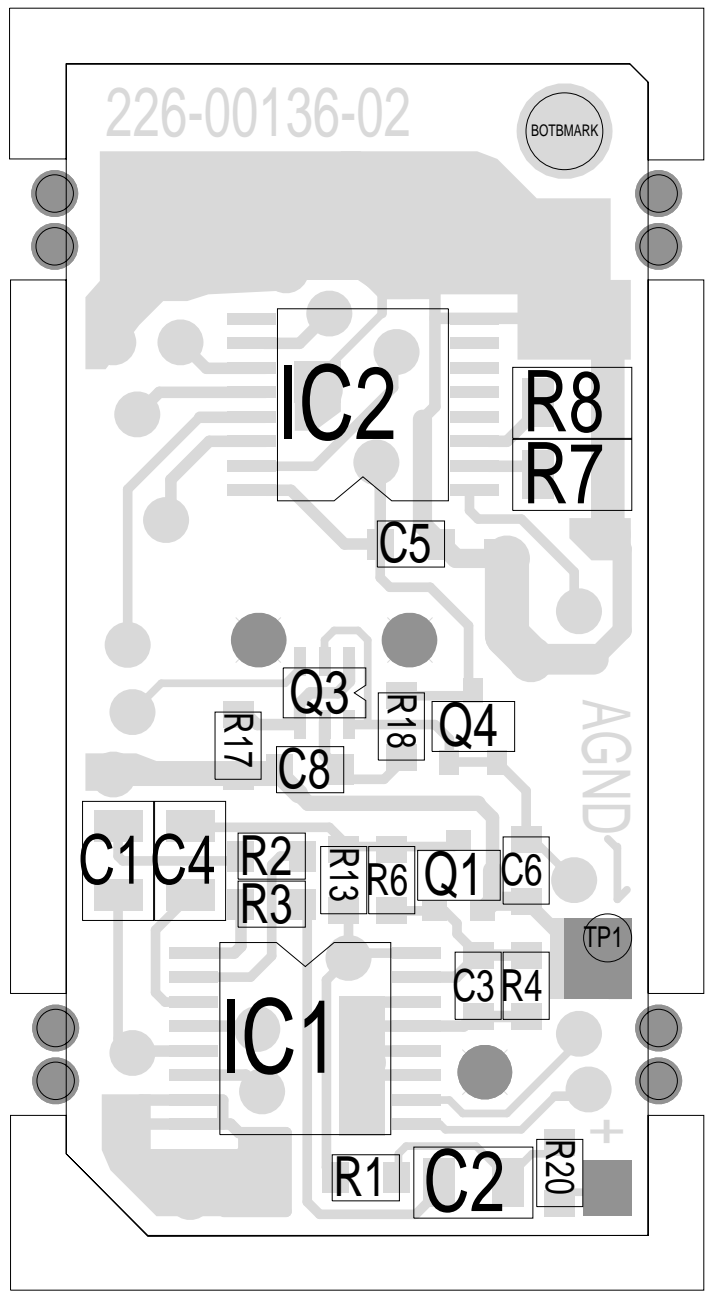
PROJECT: TM8000      DESIGNER: RPS      FILE NAME: 0013602a      FILE DATE: 23-Apr-03      NO.SHEETS: 1

02A	ADD/UPDATE CONNECTORS.CCO: 00136:01	RPS				23/04/03
01A	NEW INTERFACE, SEPERATE FROM MAIN CONTROL BRD.	RPS				26/11/02
REV/ISS	AMENDMENTS	DRAWN	CHKD	D.O.	APVD	DATE



TAIT ELECTRONICS	IPN:	ISS:	ID:	DATE:
	226-00136-02	A	1.TA	23 Apr 2003
DYNAMIC MIC PCB LAYOUT - TOP SIDE				

Scale:5:1 ; Rotation: 0 degrees



TAIT ELECTRONICS	IPN:	ISS:	ID:	DATE:
	226-00136-02	A	2.BA	23 Apr 2003
DYNAMIC MIC PCB LAYOUT - BOTTOM SIDE				

Scale: 5:1 ; Rotation: 0 degrees